

# DYNAGATE®

▪ Reliable ▪ Durable ▪ Economical



Manufactured under Europe Standard

## **BOXER500 / BOXER800** (With Key Release) **DC Sliding Gate Openers**

**DYNAGATE BOXER500 / BOXER800** electro-mechanical DC 24V sliding gate openers with back-up batteries are specially designed for residential application. Its advance electronic control board built-in with selectable over-current and speed functions provide flexibilities for individual preference. Boxer series gearbox with worm gear design ensures smooth and silent movement of the gate.



**BOXER 500**



**BOXER 800**

### Optional Accessories



**PH-1**

Photocelles



**PR-1**

2-Channel  
Transmitter



**TM-3**

4-Channel  
Transmitter

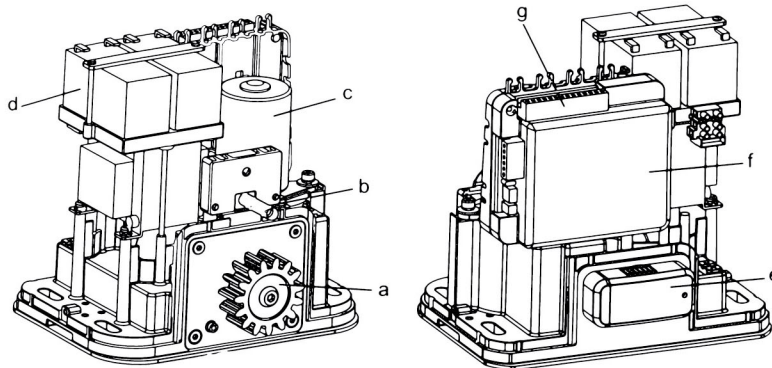
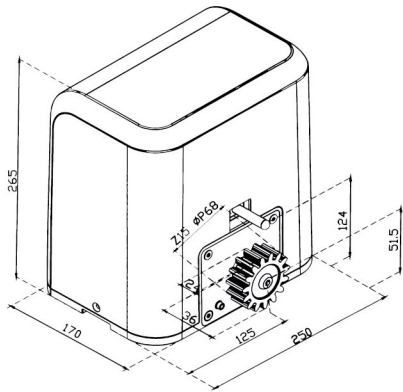


**PRB-1**

2-Channel  
Receiver Box

# Specifications

	<b>BOXER 500</b>	<b>BOXER 800</b>
Motor	24V dc motor with key release	24V dc motor with key release
Gear type	Worm Gear	Worm Gear
Peak thrust	5500N	8500N
Nominal thrust	5500N	8000N
Motor RPM	3800 RPM	3600 RPM
Absorbed Power	60W	60W
Power supply	24V dc	24V dc
Nominal input power	3A	3A
Maximum gate weight	500kg	800kg
Maximum gate length	6 Meters	10 Meters
Maximum operating current	5.5A for maximum 10 secs	5.5A for maximum 10 secs
Duty cycle	20%	20%
Operating Temperature	-20°C ~ +50°C	-20°C ~ +50°C
Dimension	250mm(L) X 170mm(W) X 265mm(H)	250mm(L) X 170mm(W) X 265mm(H)
Weight	8kg	8.5kg
Speed	21.9 cm / sec	21.9 cm / sec
Back-up battery	2 pcs 12V1.2AH	2 pcs 12V1.2AH
Transformer	6A,24V	6A,24V
Receiver on board (plug-in)	Yes	Yes
External 2 Channel receiver	Optional	Optional
<b>PR-2 Radio Transmitter</b>		
Application	4 Buttons radio transmitter for remote control of BX 500/BX 800	
Frequency	433.92Mhz	
Coding	Rolling code	
Buttons	4 buttons (1 & 2 for full & partial opening; 3 & 4 for optional 2 channel receiver)	
Power Supply	1pc 3V 2032 lithium battery	
Operating Temperature	-20°C ~ +50°C	
Dimension	66mm X32mm X11mm	



- a. Operation gear
- b. Limit switch device
- c. 24Vdc motor
- d. Back-up batteries
- e. Release device
- f. Control panel
- g. Terminals of devices

<b>Optional:</b>	
<b>Photocells</b>	
Detection type	Through beam
Operating distance	30 meters
Response time	100ms
Input voltage	DC 12~24V
Operating Temperature	-20°C ~ +60°C
Dimension	59mm*80mm*38mm
Protection class	IP66

All specifications are subject to change without prior notice.

